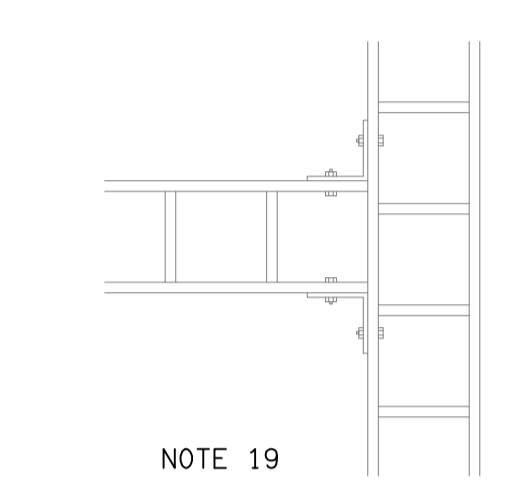
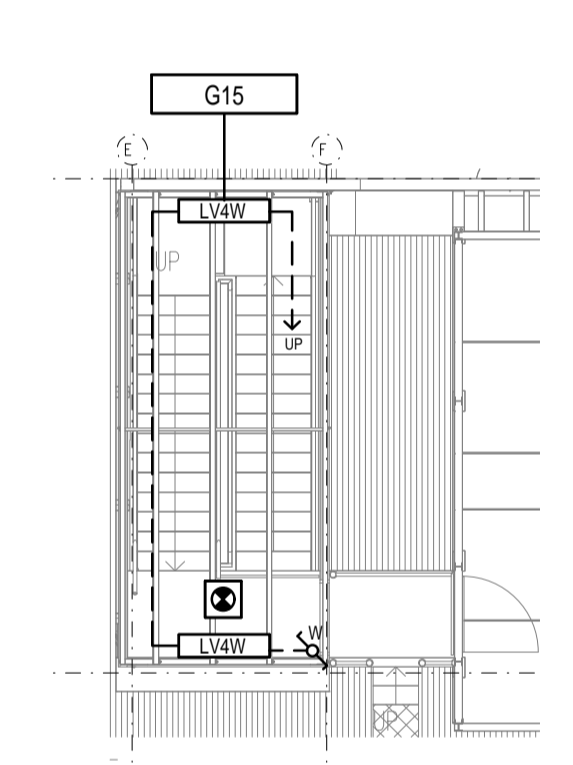


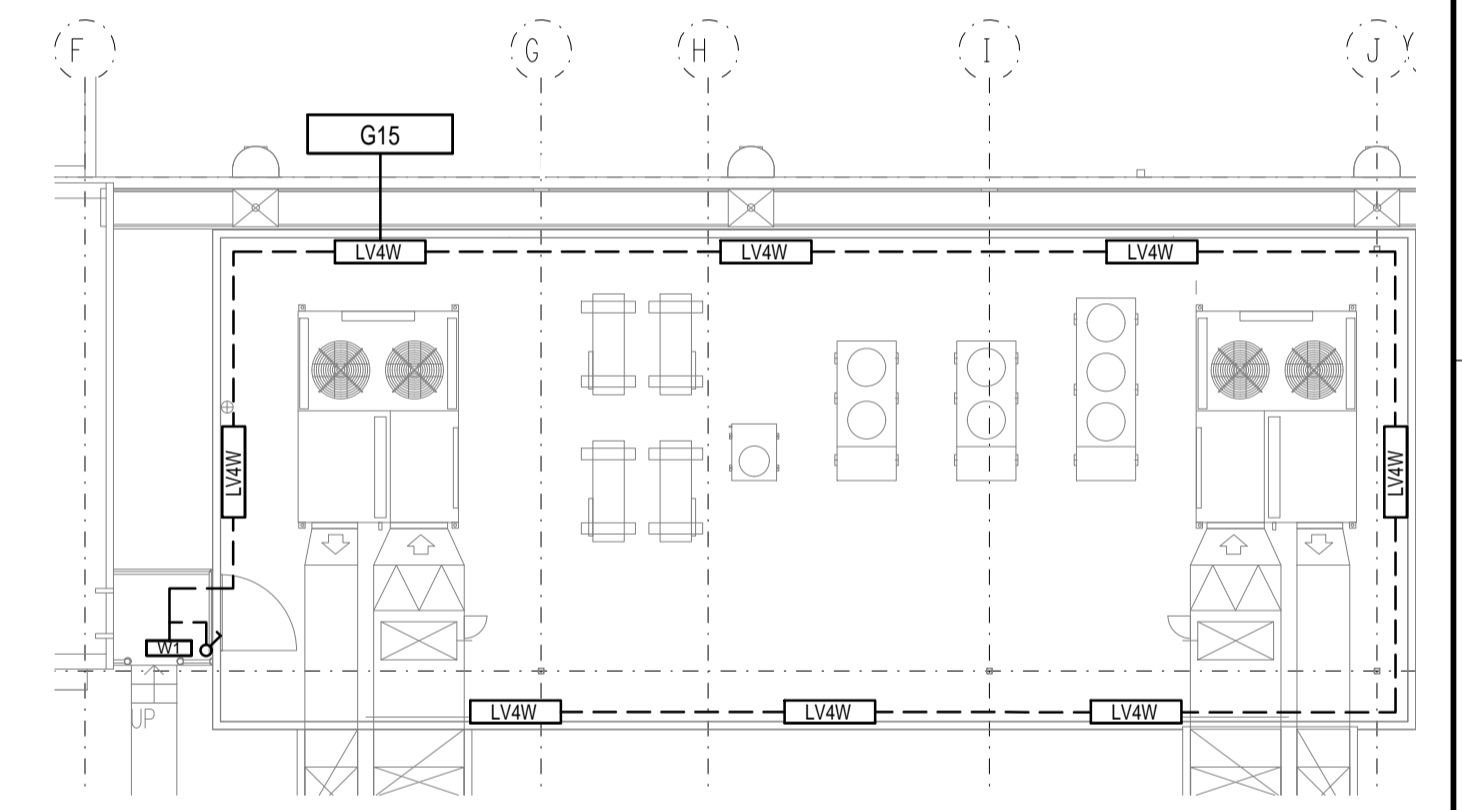
SCHEMATIC
MOTION SENSOR LIGHT SWITCHING
NOT TO SCALE



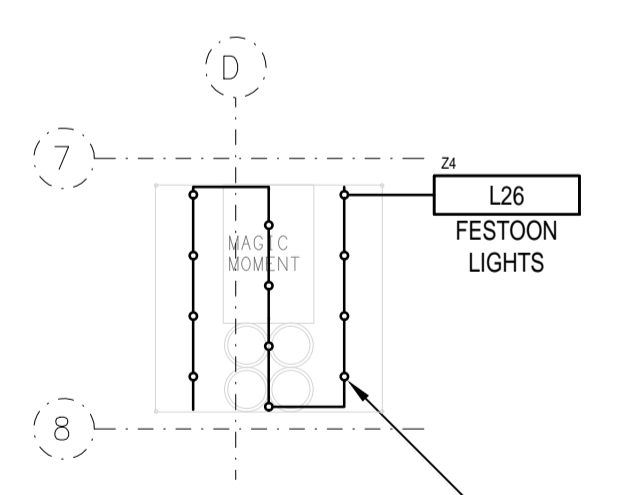
DETAIL
EZY-STRUT PLAN
SCALE 1:25



MEZZANINE
STAIRS UP TO ROOF LEVEL
SCALE 1:100



PART ROOF LEVEL
CONDENSER DECK FLOOR PLAN
SCALE 1:100



DETAIL
MAGIC MOMENTS FESTOON LIGHTING
SCALE 1:100

CIRCUIT DESIGNATION

- 1. SECURITY LIGHTING CIRCUIT DESIGNATION**
"G" = FED FROM DBGEN
"28" = CIRCUIT/CIRCUIT BREAKER NUMBER
- 2. EMERGENCY LIGHTING CIRCUIT DESIGNATION AND FITTING ID**
"EM23" = FITTING ID NUMBER AS SHOWN ON FITTING AND MAINTENANCE SCHEDULE
"G" = FED FROM DBGEN
"31" = CIRCUIT/CIRCUIT BREAKER NUMBER
- 3. EXIT LIGHTING CIRCUIT DESIGNATION AND FITTING ID**
"EX13" = FITTING ID NUMBER AS SHOWN ON FITTING AND MAINTENANCE SCHEDULE
"G" = FED FROM DBGEN
"32" = CIRCUIT/CIRCUIT BREAKER NUMBER
- 4. LIGHTING CIRCUIT DESIGNATION**
"L-CB144" Z20 - ENERGY MANAGEMENT SYSTEM (EMS) ZONE ALLOCATION.
CIRCUIT/CIRCUIT BREAKER NUMBER
DISTRIBUTION SECTION

ELECTRICAL DESIGN GROUP BRISBANE PTY LTD
ACN 092 710 793
TRADING AS:
ELECTRICAL DESIGN GROUP

THE COPYRIGHT OF THIS DRAWING REMAINS THE PROPERTY OF THE ELECTRICAL DESIGN GROUP.
USE FIGURED DIMENSIONS IN PREFERENCE TO SCALE.
ALL DIMENSIONS TO BE VERIFIED ONSITE.

ELECTRICAL DESIGN GROUP
ELECTRICAL BUILDING SERVICES CONSULTANTS
BRISBANE GOLD COAST
P.O. Box 15, Sherwood Q.4075
Phone: (07) 3278 4375
Email: brisbane@edg.net.au
Web: www.edg.net.au

PROJECT:
THE BROOK HOTEL, MITCHELTON
167 OSBORNE ROAD, MITCHELTON

G	CONSTRUCTION	06/12/2022
REV:	DESCRIPTION:	DATE:
DRAWING: ELECTRICAL SERVICES DAN MURPHY'S GROUND LEVEL REFLECTED CEILING PLAN		
SCALE: 1:100 UNO	PROJECT NO: AT A1 C2499a	DRAWING NO: E23
		REVISION: G